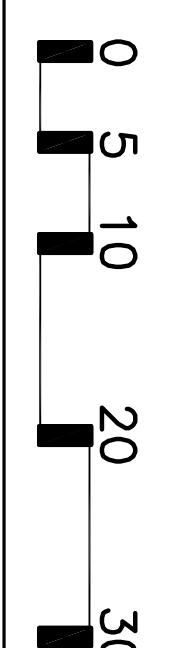
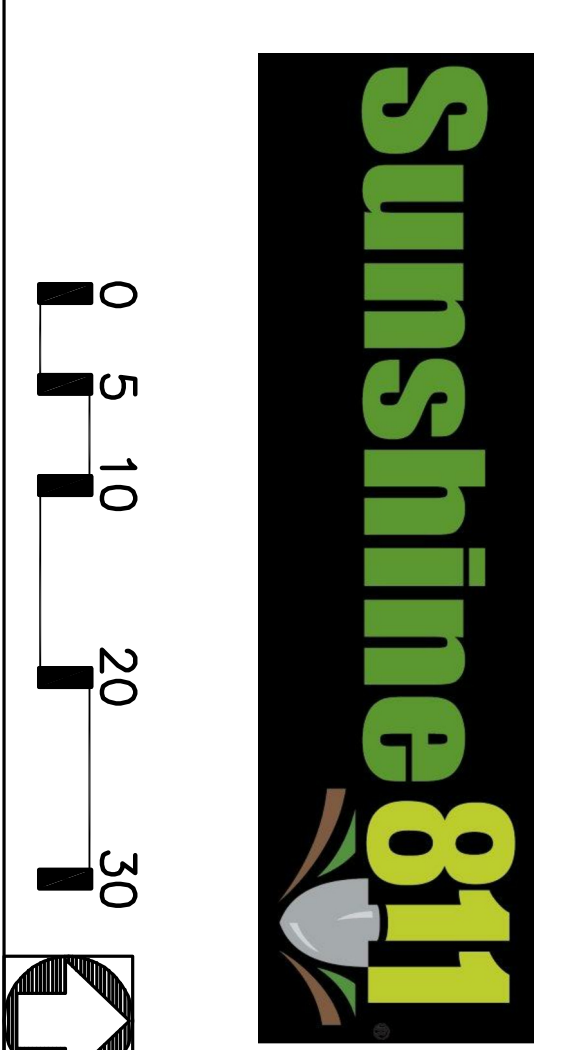
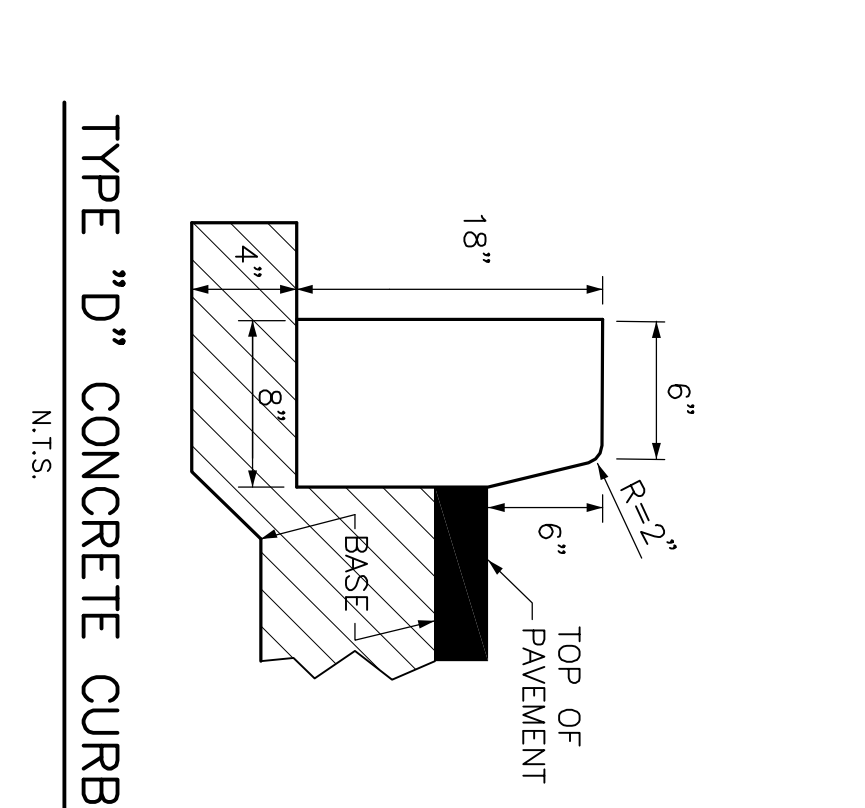
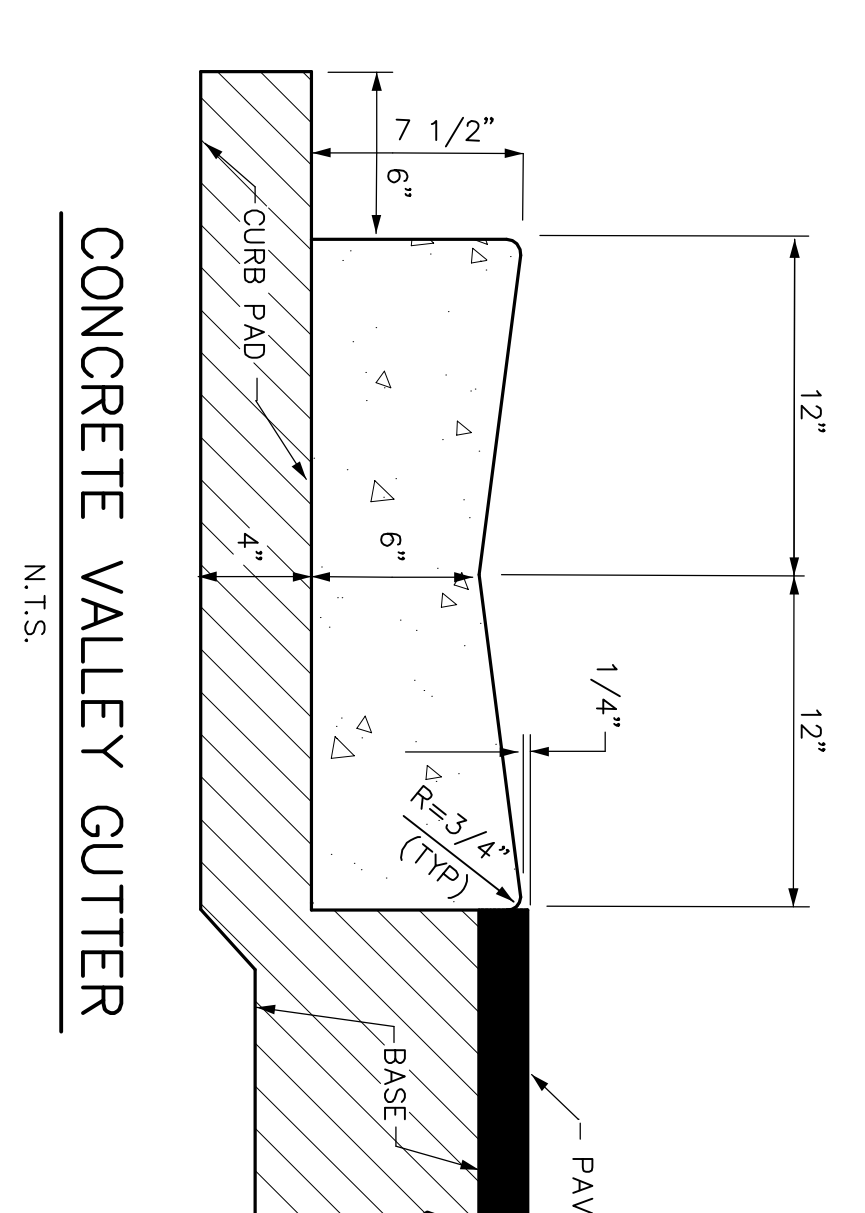
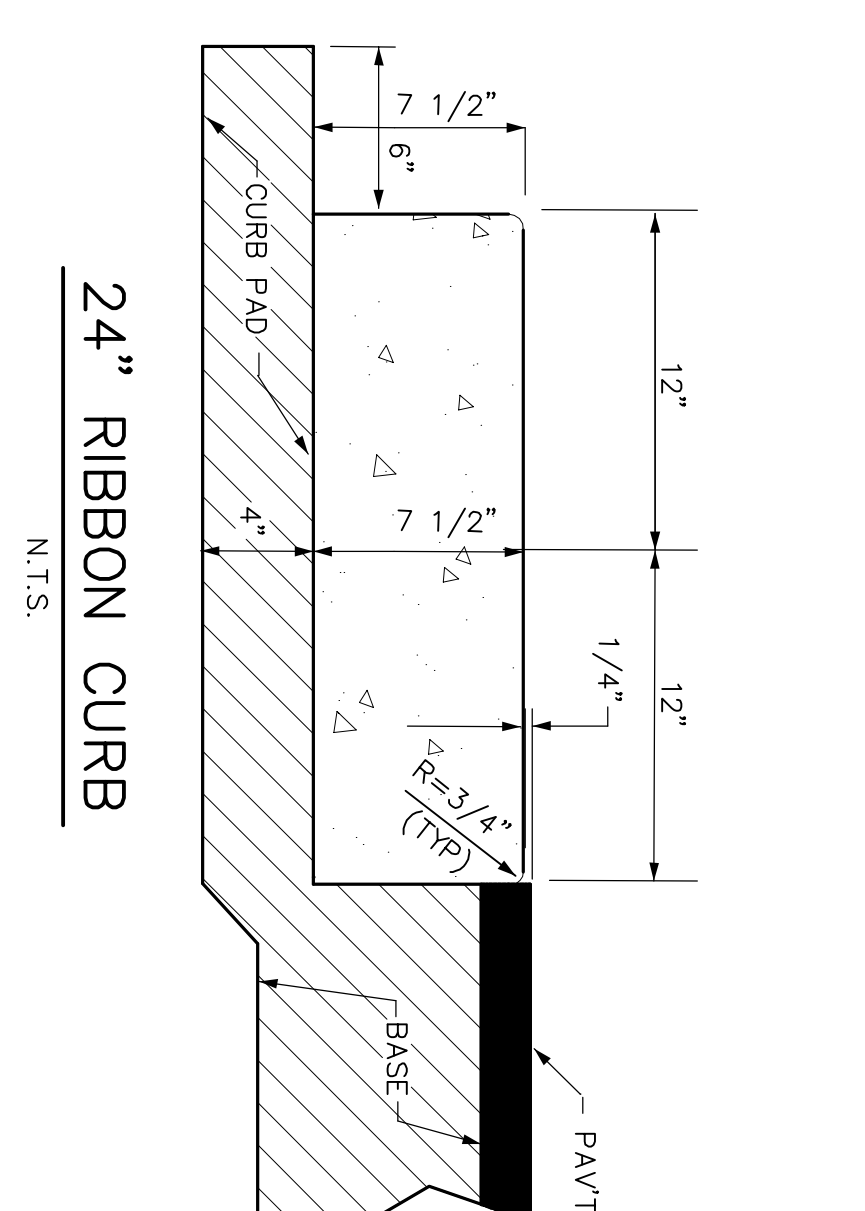
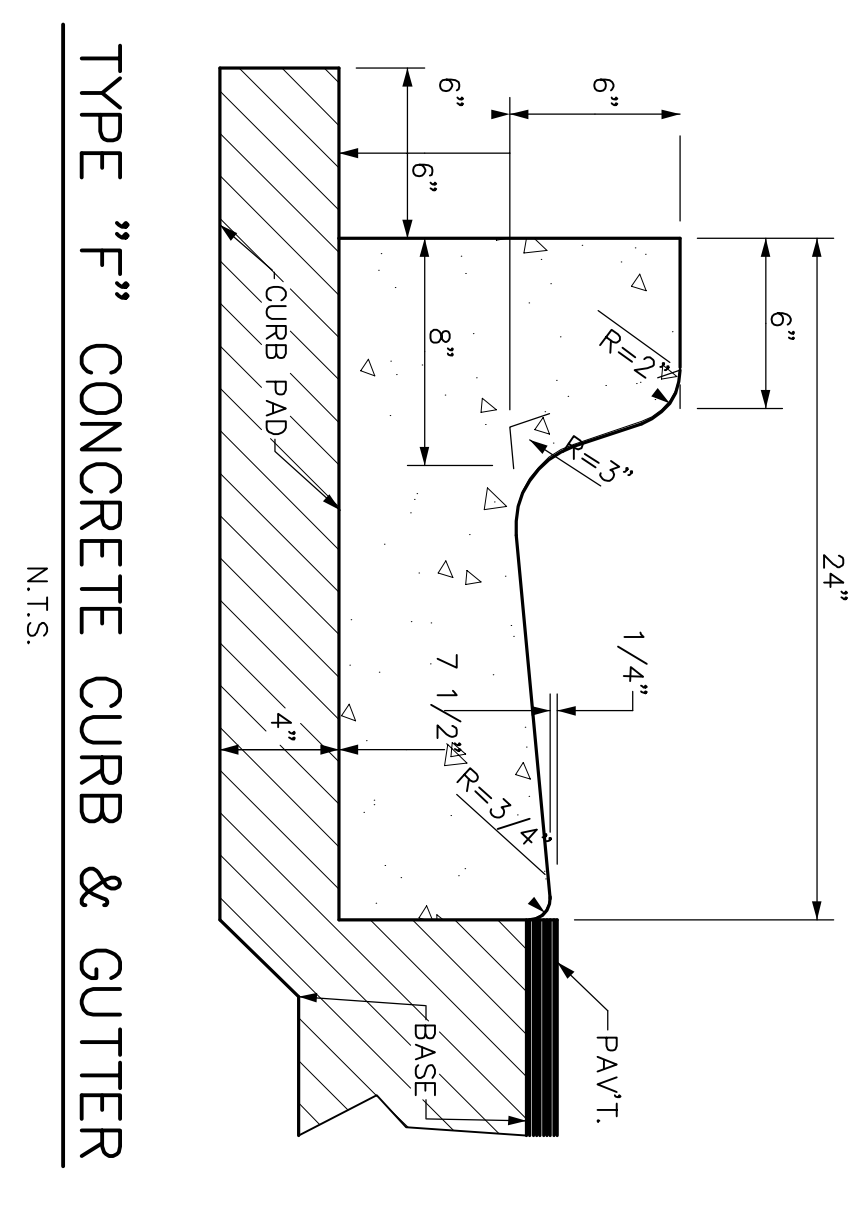
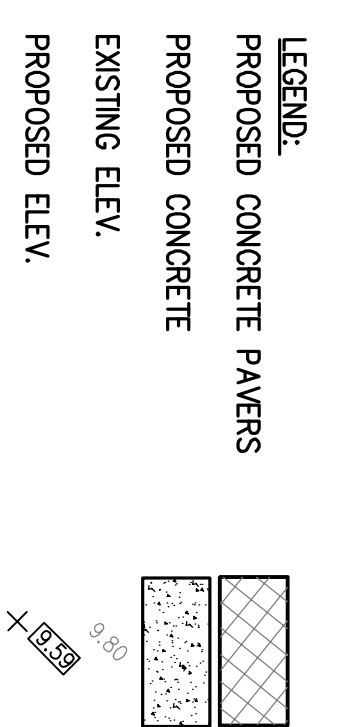


DRAINAGE STRUCTURE TABLE

DRAINAGE STRUCTURE	STRUCTURE TYPE	R/W ELEV.	INVERT ELEV.	REMARKS
CB-1	DI-V - 4#	8.48	4.98 W	
CB-2	DI-V - 4#	7.88	3.92 E & W	W/ BAFFLE
CB-3	DI-G - 4#	7.09	3.85 E & NW	W/ BAFFLE
MH-4	OS MH - 4#	7.95	3.75 SE & W	W/ INVERTED 24\"/>
EX-1	P-5 FOOT EXISTING	7.02 EXISTING	3.97 E CORE INV. 3.97 S	

- NOTES:**
- CONTRACTOR SHALL CONTACT MIAMI-DADE COUNTY TRAFFIC SIGNALS DIVISION TO VERIFY THE LOCATION OF TRAFFIC SIGNAL CONDUIT BEFORE COMMENCEMENT OF CONSTRUCTION.
 - CONTRACTOR SHALL VERIFY THE LOCATION OF ALL DRAINAGE CONNECTIONS PRIOR TO CONSTRUCTION. THE LOCATION OF ALL DRAINAGE CONNECTIONS SHALL BE DERIVED ON THESE PLANS. CONTRACTOR IS TO NOTIFY ENGINEER IMMEDIATELY.



BERMELLO AJAMIL & PARTNERS, INC.
 Architecture - Engineering - Planning
 Interior Design - Landscape Architecture
 2601 South Bayshore Drive, 10th Floor
 Miami, Florida 33133
 (305) 859-2050
 Fax (305) 860-3700

TOWN OF SURFSIDE, FL
9293 HARDING AVENUE
SURFSIDE, FLORIDA 33154

PREPARED FOR/OWNER:

PROJECT NAME:
95th STREET STREETScape IMPROVEMENT PROJECT

PROJECT LOCATION:
95th STREET EAST OF SR A1A/COLLINS AVENUE IN SURFSIDE, FLORIDA MIAMI-DADE COUNTY

SUB-CONSULTANT INFORMATION:

PROFESSIONAL SEAL:

WILLIAM BARBARO, P.E.
 FLORIDA LICENSE NO. 48761

SUBMITTAL DESCRIPTION:

BIDDING
FEBRUARY 19th, 2013

REVISIONS:

1	04/12/13	EXPLORATION
---	----------	-------------

DRAWING TITLE:
PAVING, GRADING & DRAINAGE PLAN

CADD FILE: M:\2013\Surfside Streetscape Improvement\cadd

Project No. 12075.000
 Scale: 1"=10'
 Date: FEBRUARY 1, 2013
 Drawn: G.D.
 Checked: B.B.
 CADD File: M:\2013\Surfside Streetscape Improvement\cadd

SHEET NO.:
C-2.0