



LANDSCAPE ARCHITECTURE
SAVINO & MILLER DESIGN STUDIO
12345 NE 6TH AVENUE, MIAMI, FLORIDA 33161
Tel: (305) 892-9082 Fax: (305) 895-9083

ESTIMATING CONSULTANT
CMC CONSTRUCTION MANAGEMENT SERVICES
10 PARKWAY DRIVE, SUITE 301 DEERFIELD BEACH, FL 33441
Tel: (954) 481-1611 Fax: (954) 427-3142

COASTAL CONSTRUCTION
EDC CORPORATION
2455 SW 27TH AVENUE, MIAMI, FLORIDA 33145
Tel: (305) 858-8100 Fax: (305) 858-4760

FOOD SERVICES CONSULTANT
SYSTEMS DESIGN INTERNATIONAL
110 WEST BROWNSBOROUGH BLVD, LAKELAND, FL 33801
Tel: (954) 315-3855 Fax: (954) 208-9018

POOL CONSULTANT
AQUADYNAMICS, INC.
5000 SW 75TH AVE, SUITE 203, MIAMI, FLORIDA 33155
Tel: (305) 667-8975 Fax: (305) 662-1002

LEED CONSULTANT
SPINNAKER GROUP, INC.
501 SPINNAKER, WESTON, FL 33326
Tel: (954) 347-0967 Fax: (954) 217-3614

MARK	DATE	DESCRIPTION

MARK	DATE	DESCRIPTION

PROJECT NO: 60028604

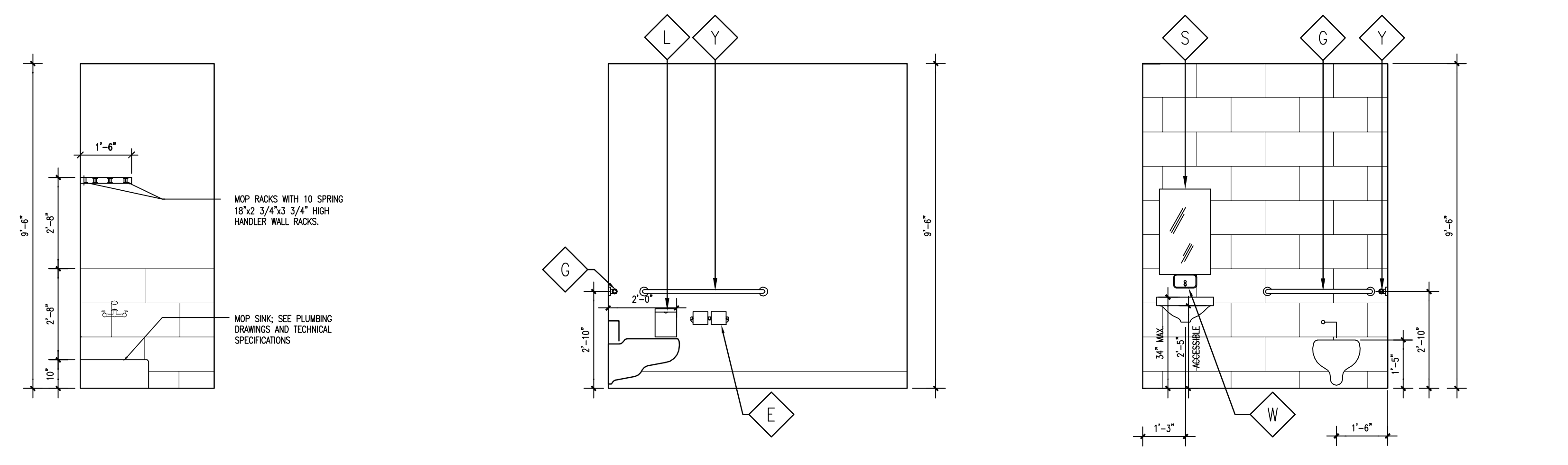
DRAWN BY:

CHECKED BY:

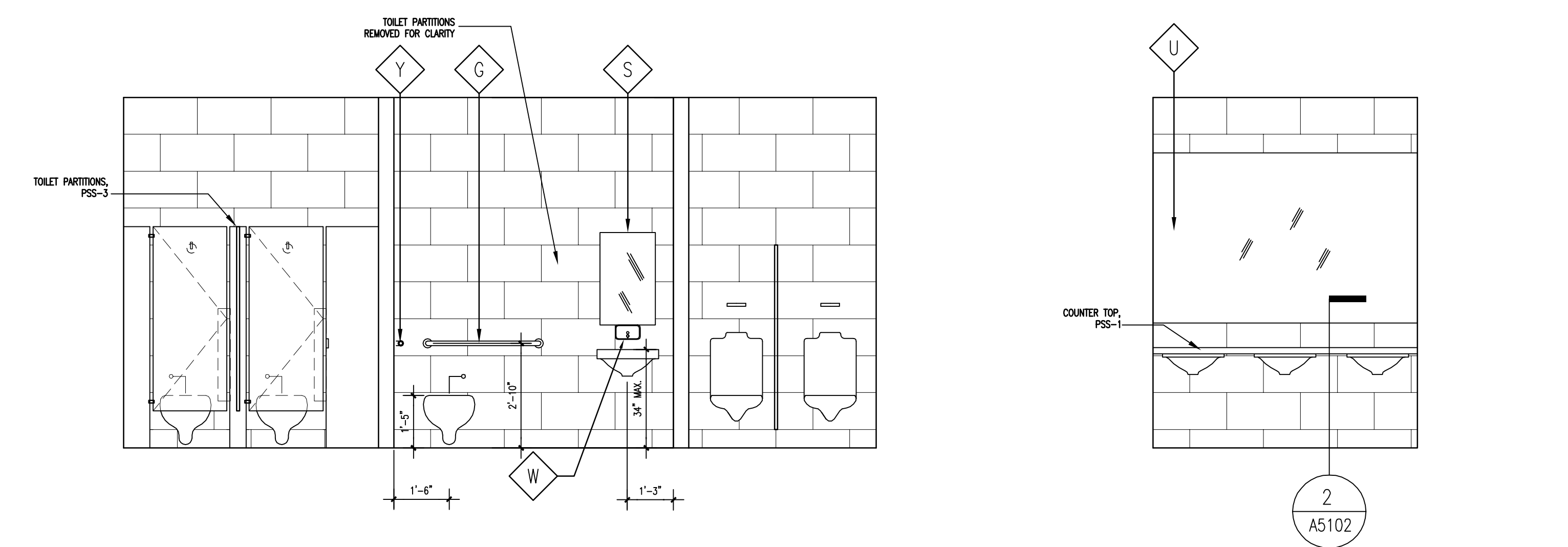
DATE: 10-22-2009

KEY PLAN

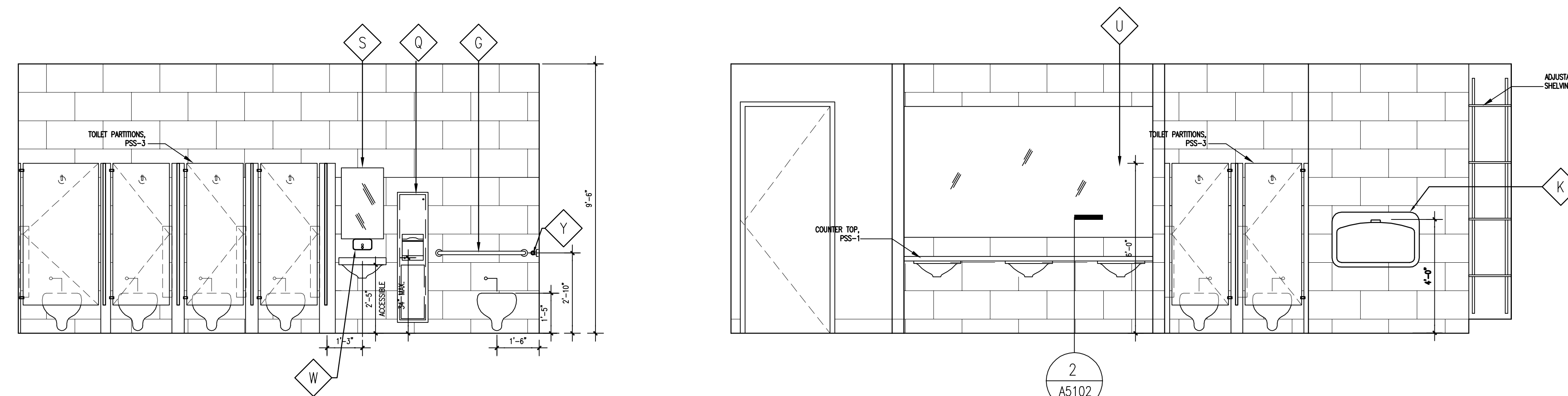
E
D
C
B
A



7 ENLARGED JANITOR ELEVATION | 6 ENLARGED TOILET ELEVATION | 5 ENLARGED TOILET ELEVATION



4 ENLARGED TOILET ELEVATION | 3 ENLARGED TOILET ELEVATION



2 ENLARGED TOILET ELEVATION | 1 ENLARGED TOILET ELEVATION

