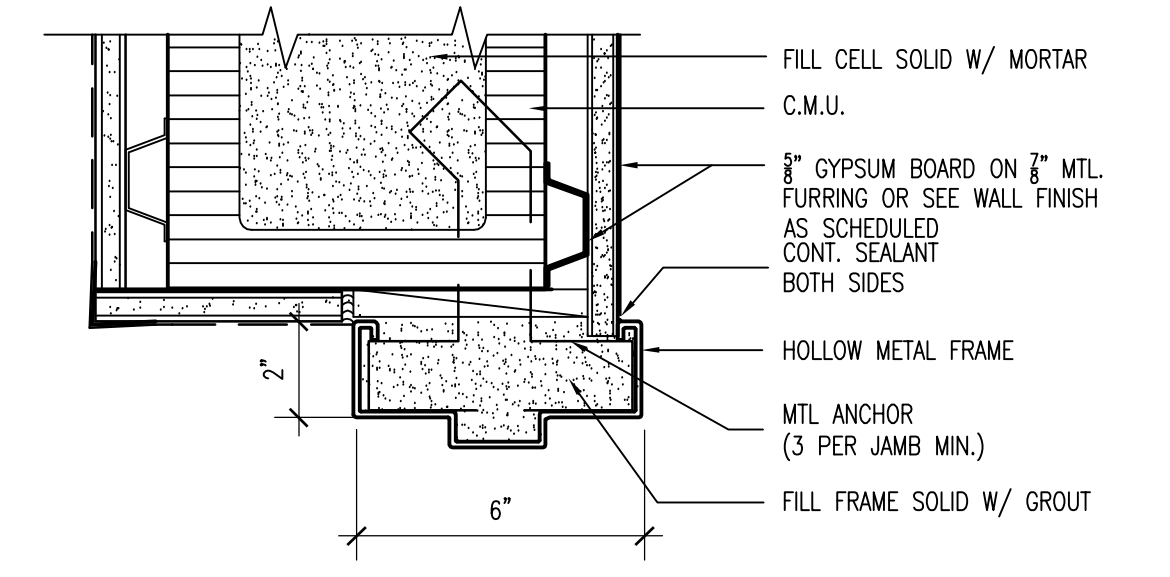
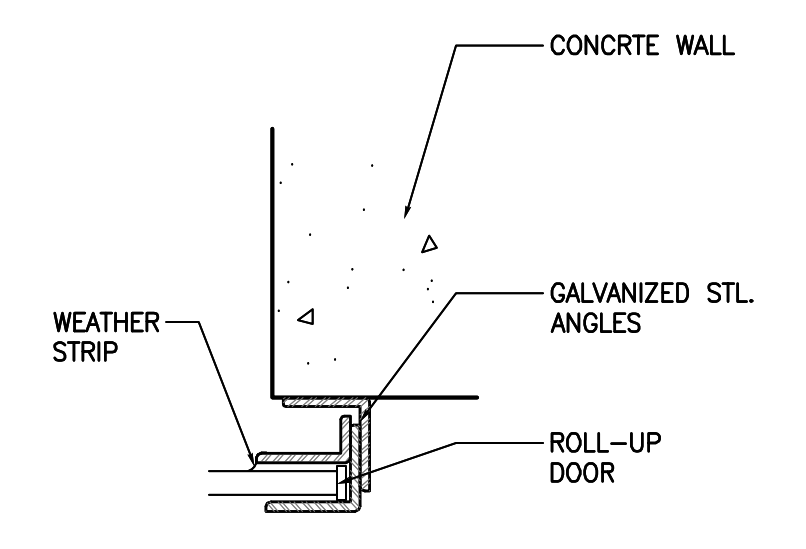


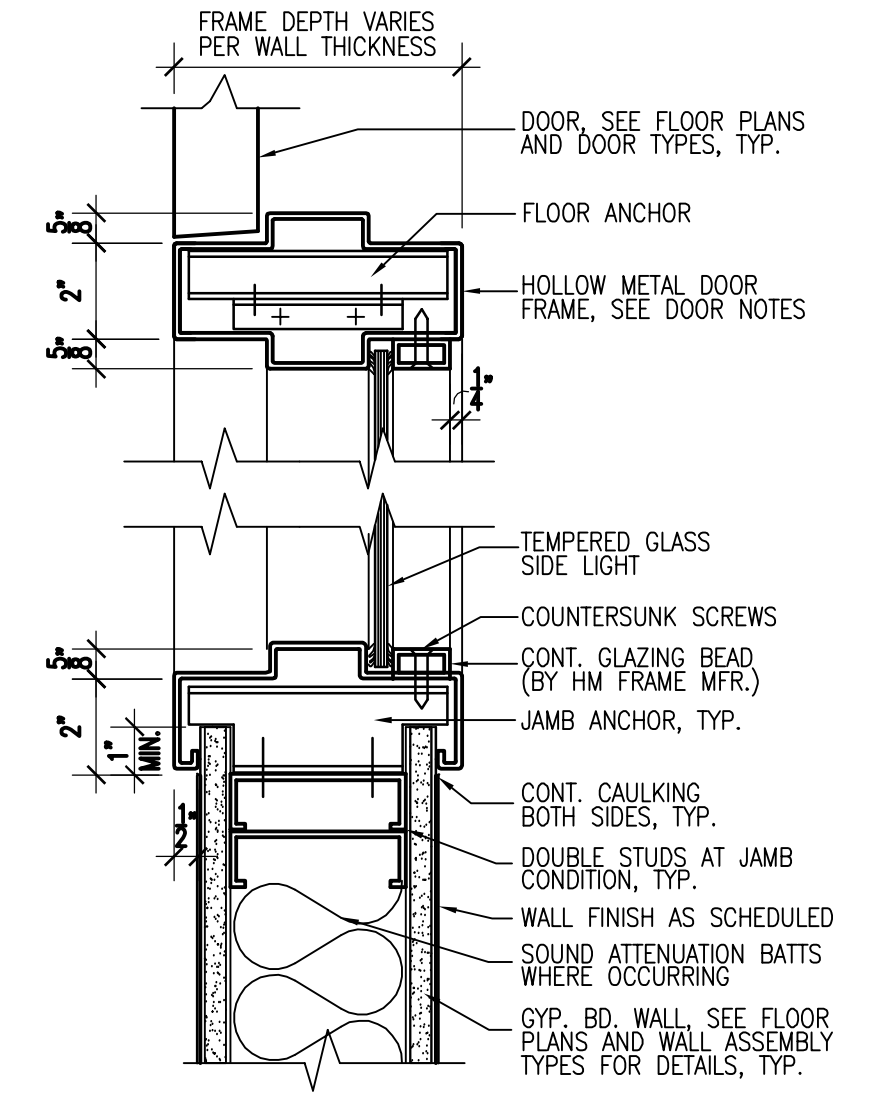
8 STOREFRONT DOOR HEAD DET.  
CMU/GYP.BD. (HEAD)  
REF. DOOR DETAILS SCALE: 3/8"=1'-0"



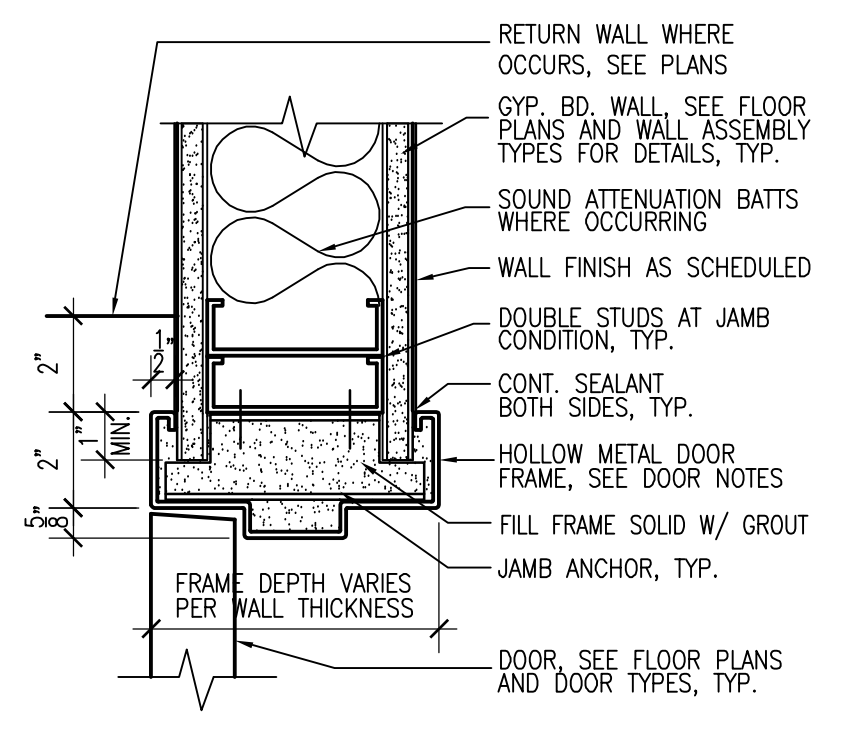
4 HM. DOOR JAMB DET.(HEAD SIM.)  
CMU/GYP.BD. BOTH SIDES  
REF. DOOR DETAILS SCALE: 3/8"=1'-0"



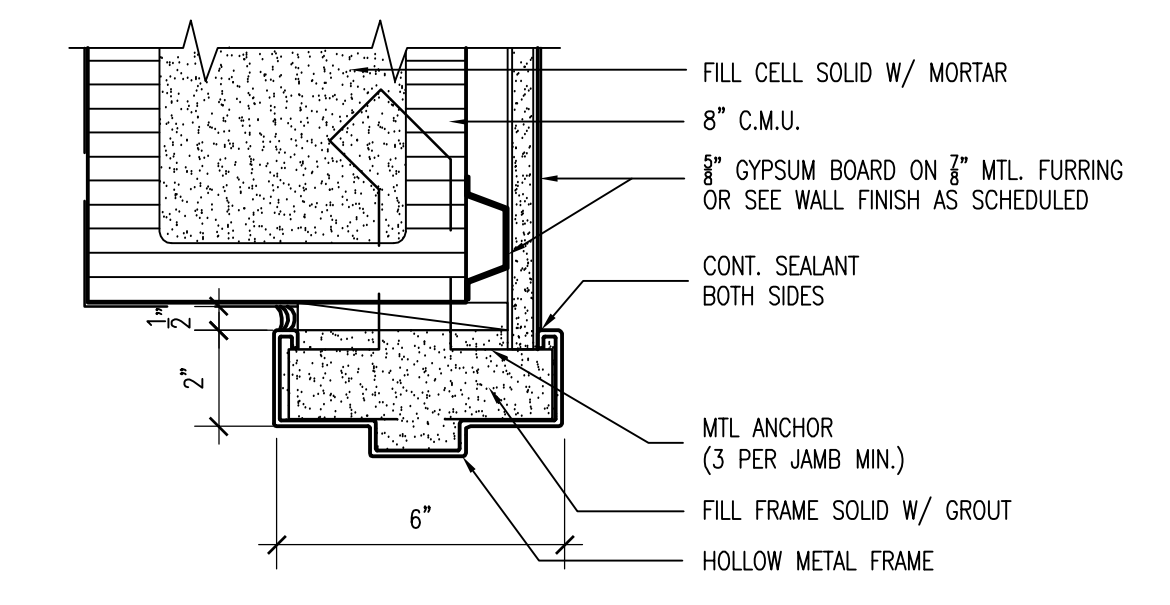
18 ROLL-UP DOOR JAMB DETAIL  
A6.3.01 REF. ADT08 SCALE: 3/8"=1'-0"



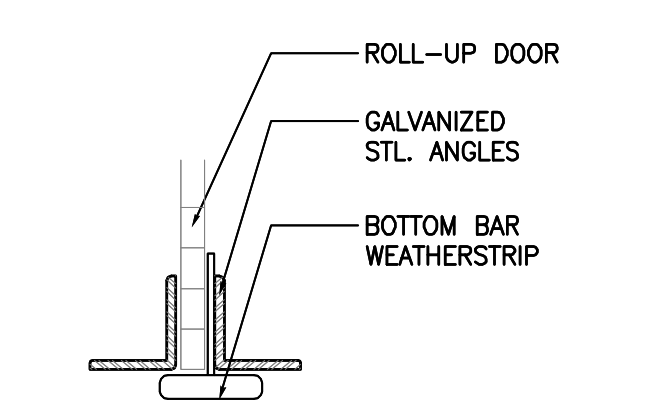
11 TYP. HM. INT. SILL DETAIL  
REF. DOOR DETAILS SCALE: 3/8"=1'-0"



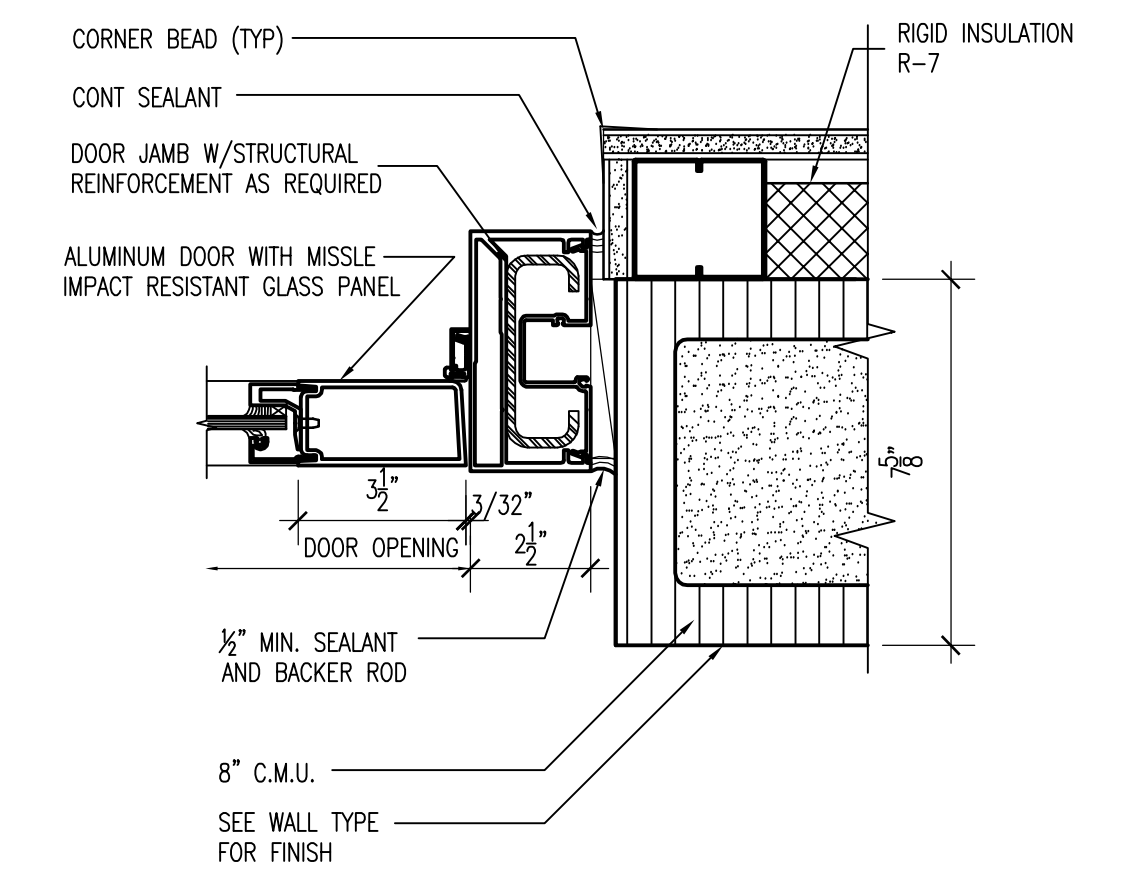
7 HM. DOOR JAMB DET.(HEAD SIM.)  
GYPSUM BOARD  
REF. DOOR DETAILS SCALE: 3/8"=1'-0"



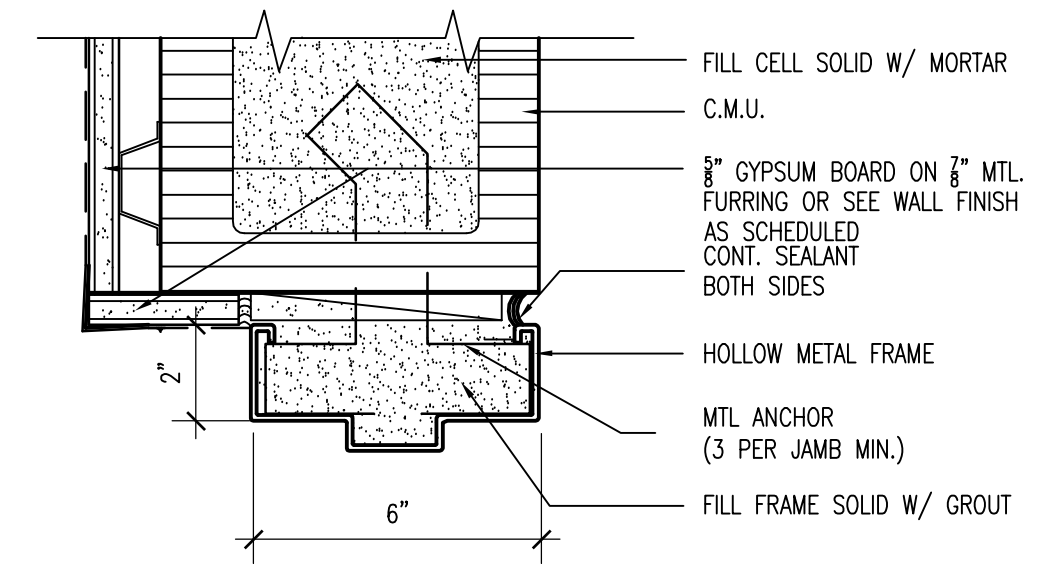
3 HM. DOOR JAMB DET.(HEAD SIM.)  
CMU/GYP.BD. ONE SIDE  
REF. DOOR DETAILS SCALE: 3/8"=1'-0"



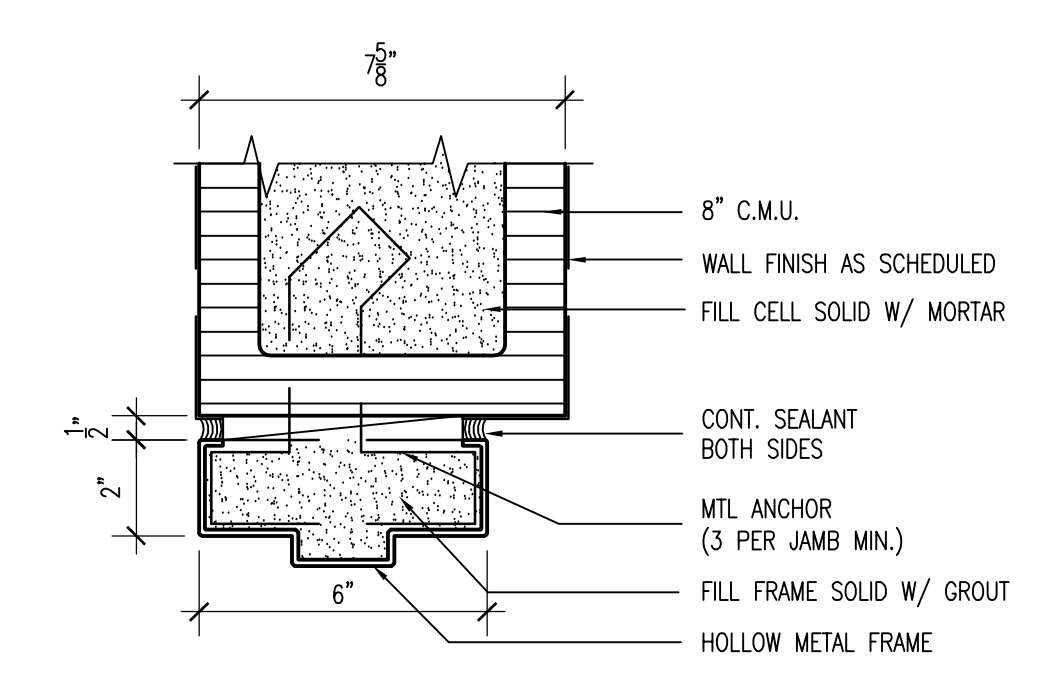
17 ROLL-UP DOOR SILL DETAIL  
A6.3.01 REF. ADT08 SCALE: 3/8"=1'-0"



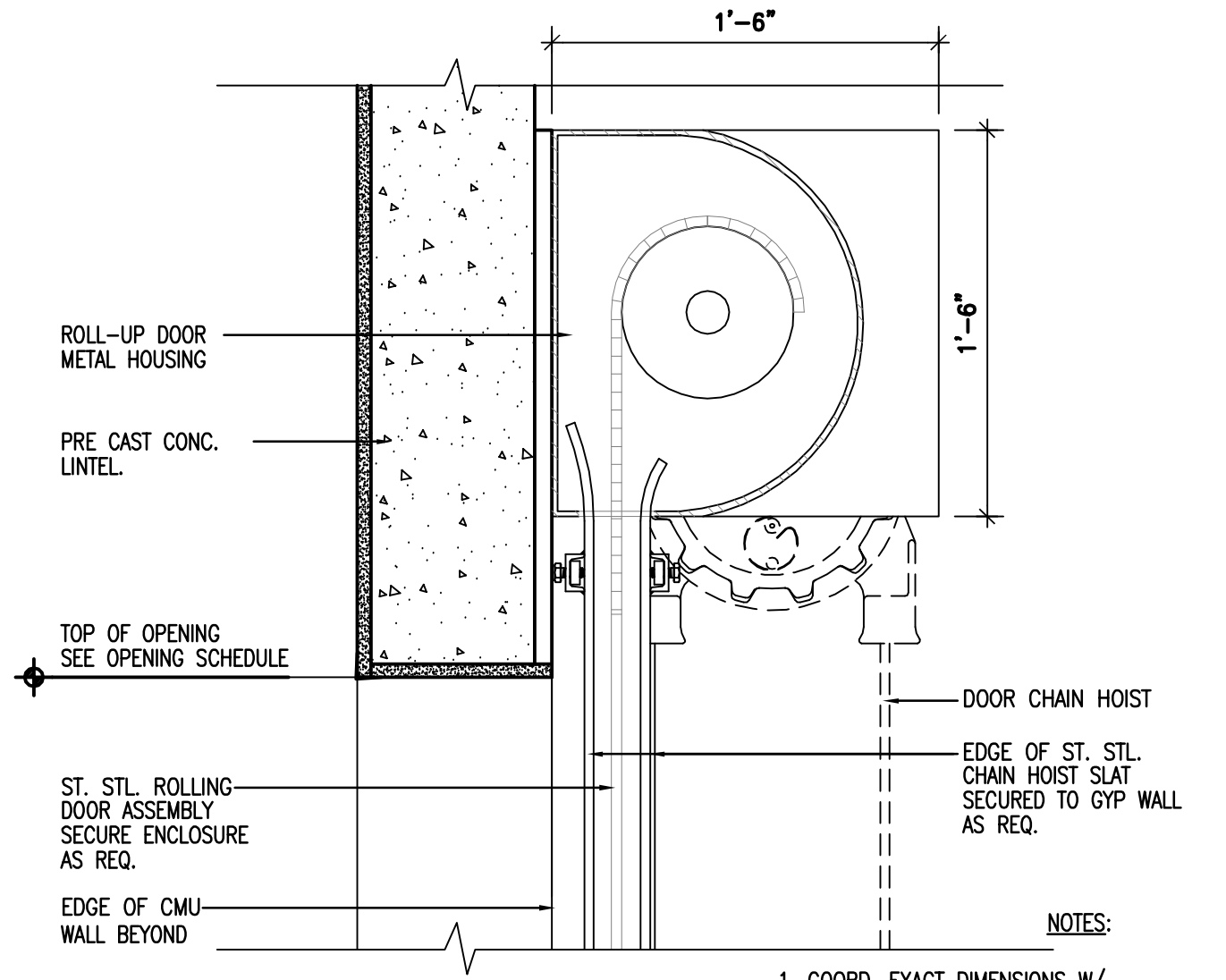
10 STOREFRONT DOOR DET.  
CMU/GYP.BD. (JAMB)  
REF. DOOR DETAILS SCALE: 3/8"=1'-0"



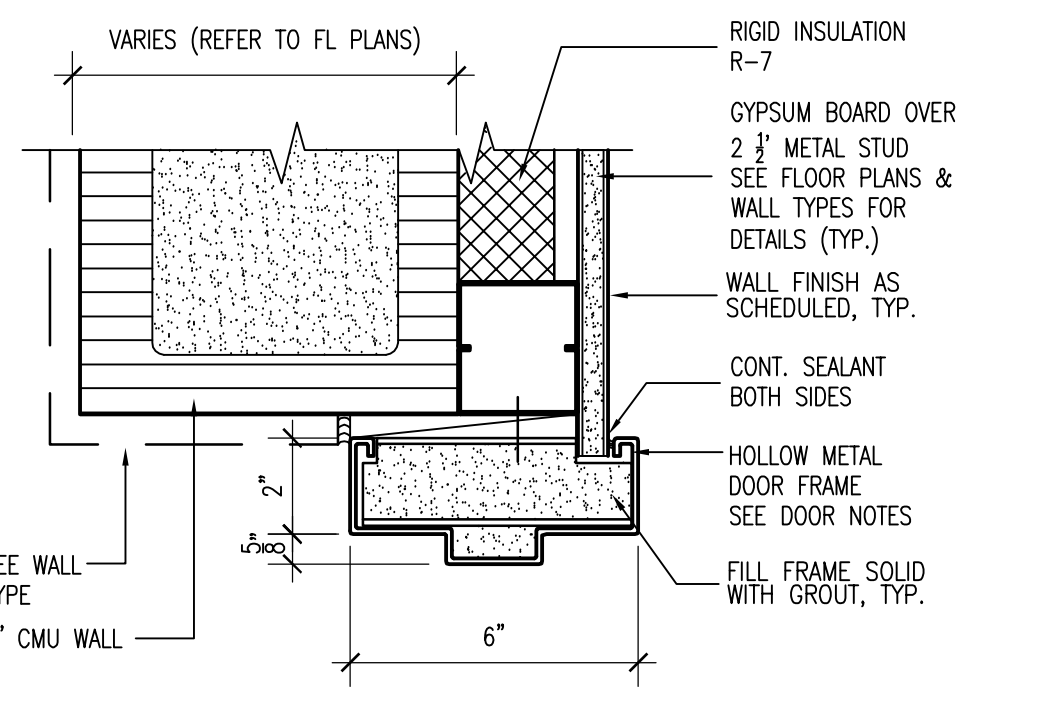
6 HM. DOOR JAMB DET.(HEAD SIM.)  
CMU/GYP.BD. ONE SIDE  
REF. DOOR DETAILS SCALE: 3/8"=1'-0"



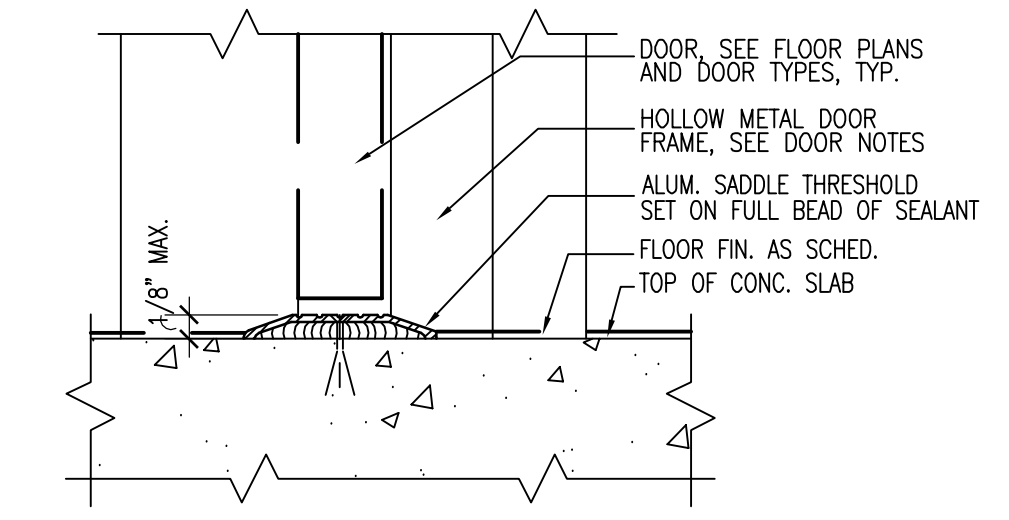
2 HM. DOOR JAMB DET.(HEAD SIM.)  
CMU  
REF. DOOR DETAILS SCALE: 3/8"=1'-0"



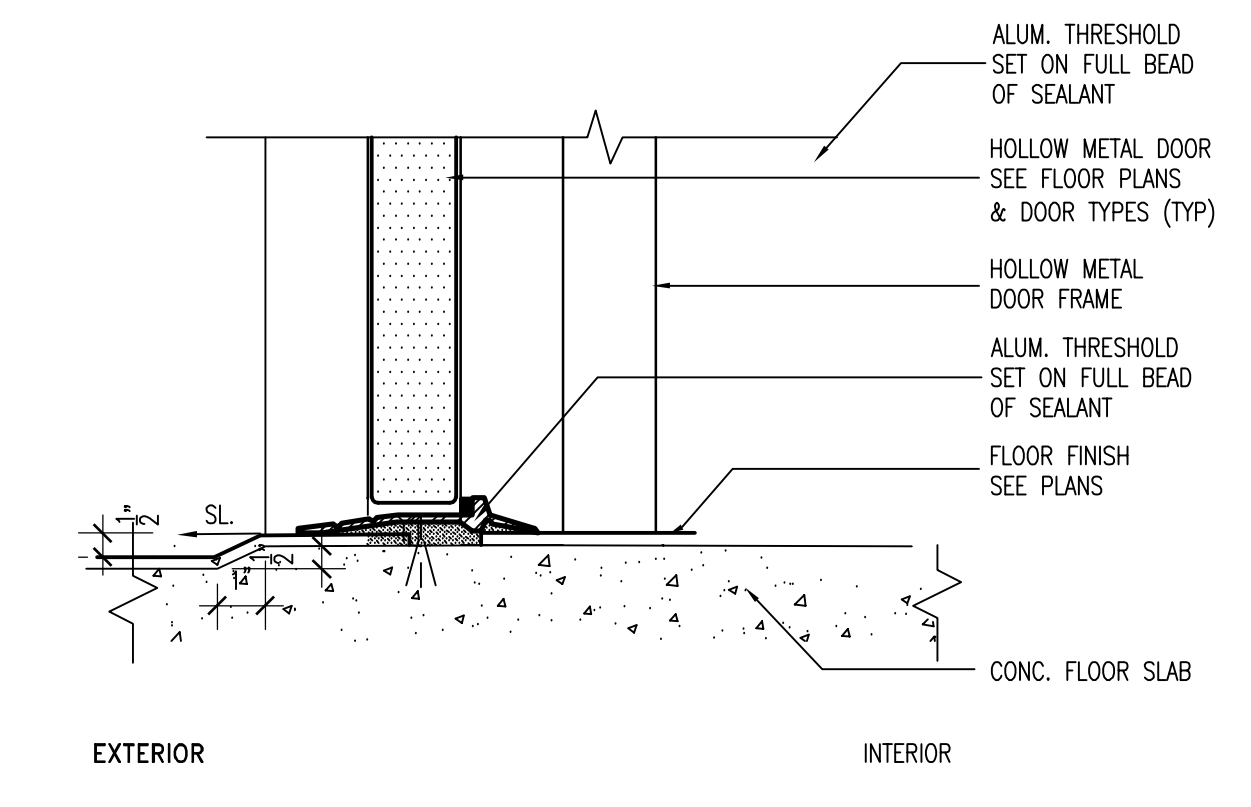
16 ROLL-UP DOOR HEAD DETAIL  
A6.3.01 REF. ADT08 SCALE: 1 1/2"=1'-0"



9 HM. DOOR JAMB DET.(HEAD SIM.)  
CMU/INSULATION/GYP.  
REF. DOOR DETAILS SCALE: 3/8"=1'-0"



5 TYP. HM. INT. SILL DETAIL  
REF. DOOR DETAILS SCALE: 3/8"=1'-0"



1 TYP. HM. EXT. SILL DETAIL  
REF. DOOR DETAILS SCALE: 3/8"=1'-0"

ISSUE

MARK	DATE	DESCRIPTION

PROJECT NO: 60028604  
DRAWN BY:  
CHECKED BY:  
DATE: 10-22-2009

KEY PLAN

SHEET TITLE

DOOR DETAILS

A6.3.01