



## SPILLIS CANDELA DMJM

800 DOUGLAS ENTRANCE, SUITE 200  
CORAL GABLES, FL 33134  
T: 305-444-4691 F: 305-447-3580  
www.spilliscandeladmjm.com

FLORIDA LICENSE AA0003298

**LANDSCAPE ARCHITECTURE**

**SAVINO & MILLER DESIGN STUDIO**  
12345 NE 6TH AVENUE, MIAMI, FLORIDA 33161  
Tel: (305) 892-9082 Fax: (305) 895-9083

**ESTIMATING CONSULTANT**  
**OMS CONSTRUCTION MANAGEMENT SERVICES**  
10 PAMPY DRIVE, SUITE 301, DEERFIELD BEACH, FL 33441  
Tel: (954) 481-1611 Fax: (954) 427-3142

**COASTAL CONSTRUCTION**  
**EDC CORPORATION**  
2455 SW 27TH AVENUE, MIAMI, FLORIDA 33145  
Tel: (305) 858-8100 Fax: (305) 858-4760

**FOOD SERVICES CONSULTANT**  
**SYSTEMS DESIGN INTERNATIONAL**  
110 GALT BRUNN BLDG., FT. LAUDERDALE, FL 33301  
Tel: (954) 315-3855 Fax: (954) 208-9018

**POOL CONSULTANT**  
**AQUADYNAMICS, INC.**  
5000 SW 75TH AVE, SUITE 203, MIAMI, FLORIDA 33155  
Tel: (305) 667-8975 Fax: (305) 662-1002

**LEED CONSULTANT**  
**SPINNAKER GROUP, INC.**  
501 SPINNAKER, WESTON, FL 33326  
Tel: (954) 347-0967 Fax: (954) 217-3614

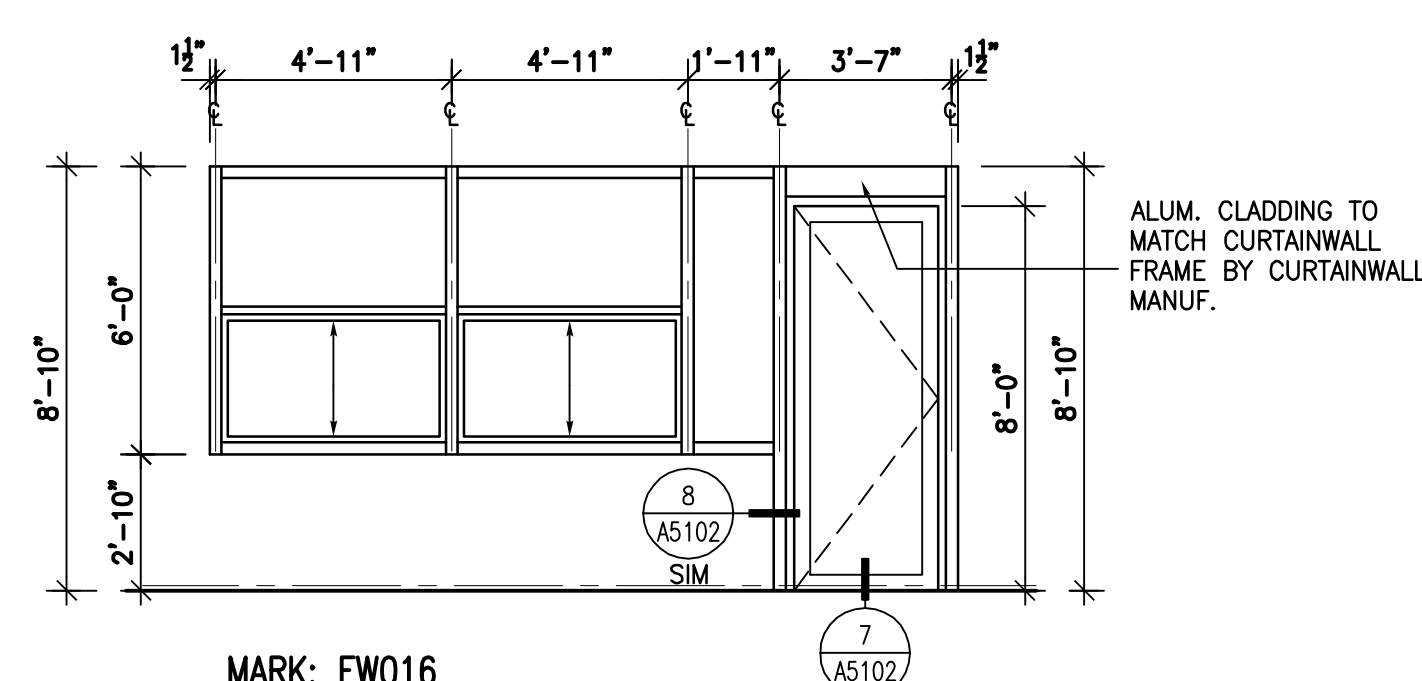
PROFESSIONAL OF RECORD: JESUS CRUZ  
DISCIPLINE: ARCHITECTURE  
REGISTRATION NO. A0006906

NO.	DATE	DESCRIPTION

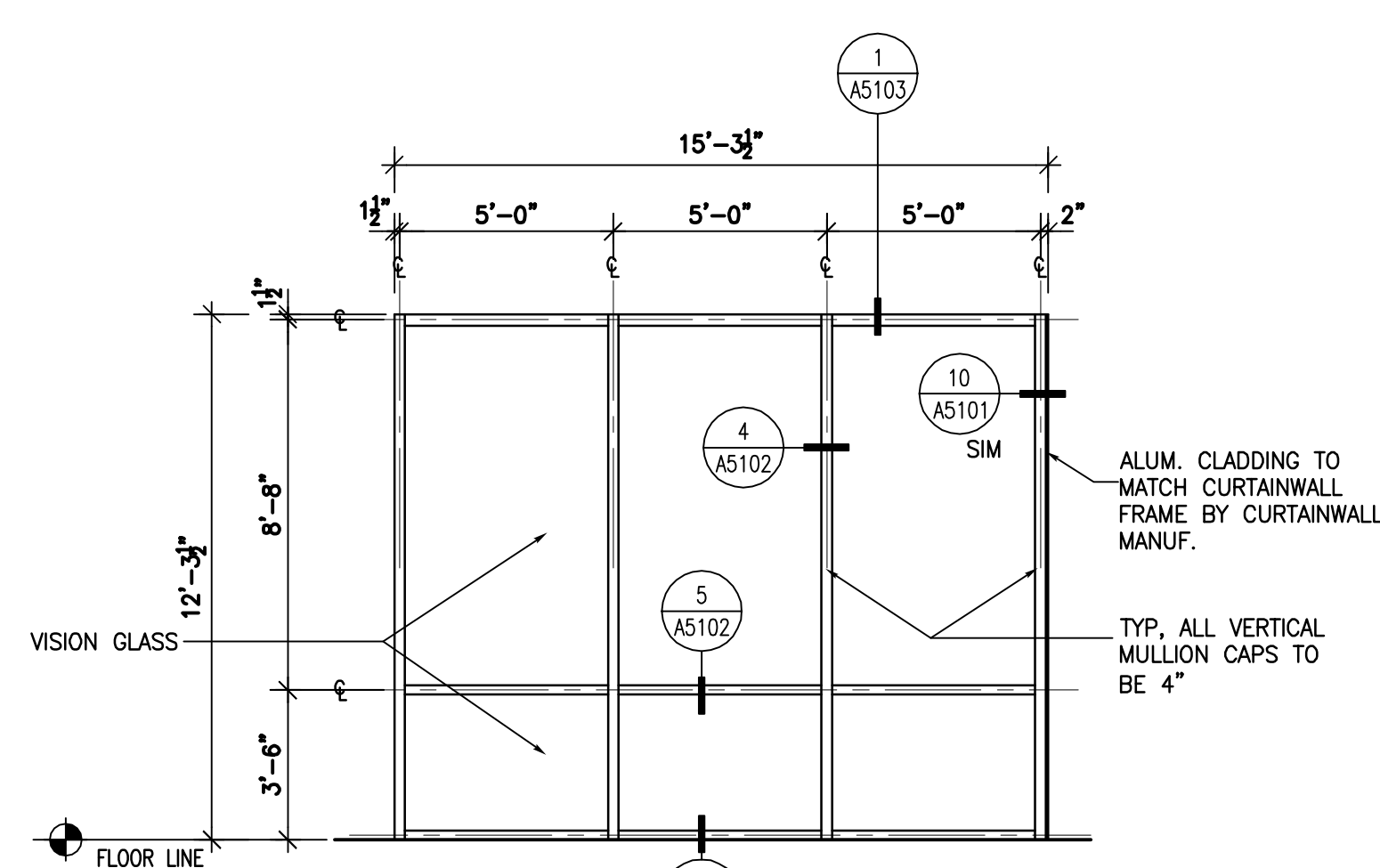
MARK	DATE	DESCRIPTION

PROJECT NO:	60028604
DRAWN BY:	
CHECKED BY:	
DATE:	10-22-2009

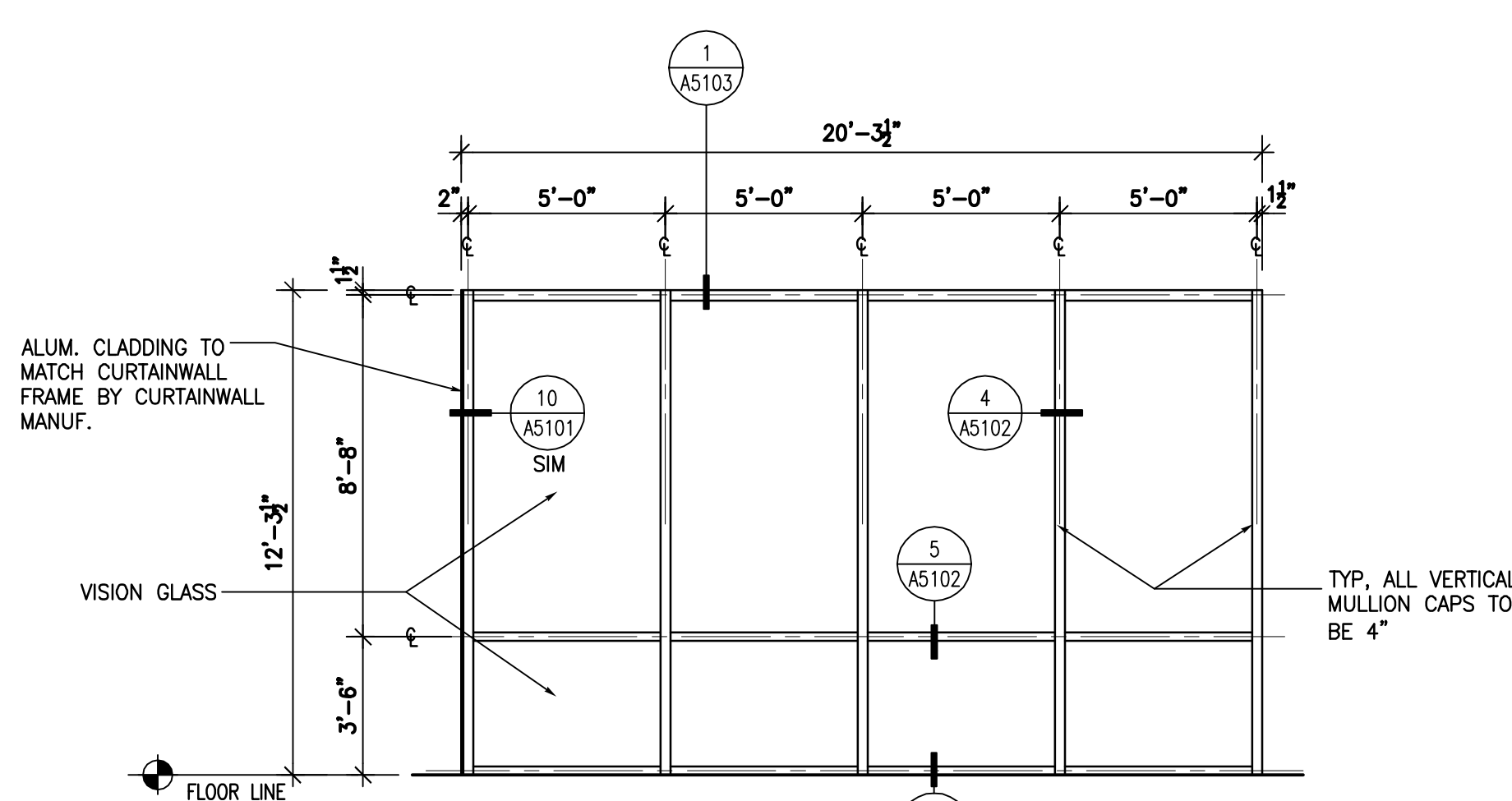
## EXTERIOR OPENINGS



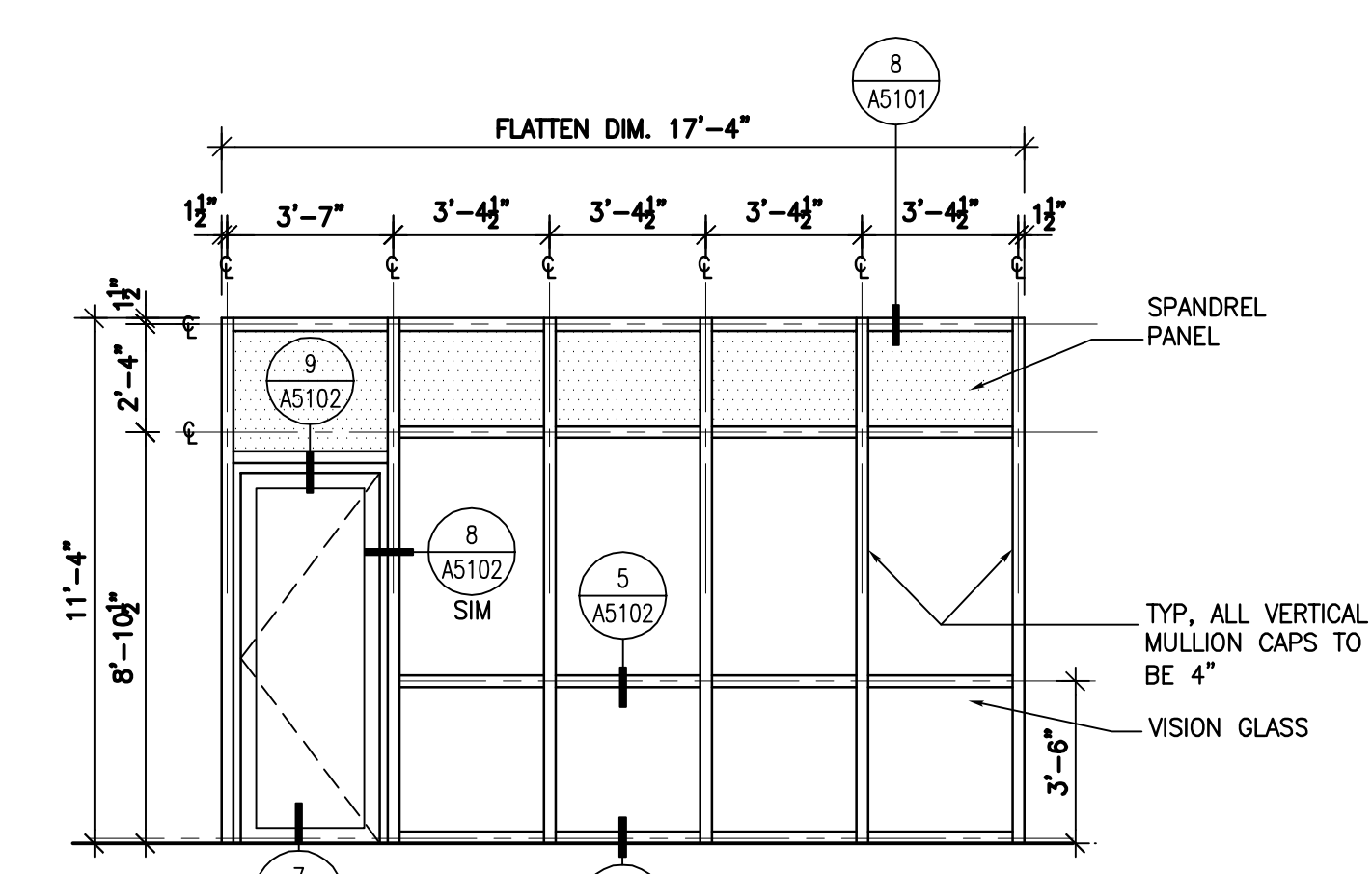
**MARK: EW016**  
 TYPE: KAWNEER SINGLE HUNG WINDOWS  
 FRAME MATERIAL: ALUMINUM  
 FRAME FINISH: CLEAR ANODIZED  
 GLAZING: IMPACT RESISTANT GLAZING SYSTEM  
 GLAZING TINT: VISION GLASS  
 (TURTLE LAW COMPLIANT GLASS)



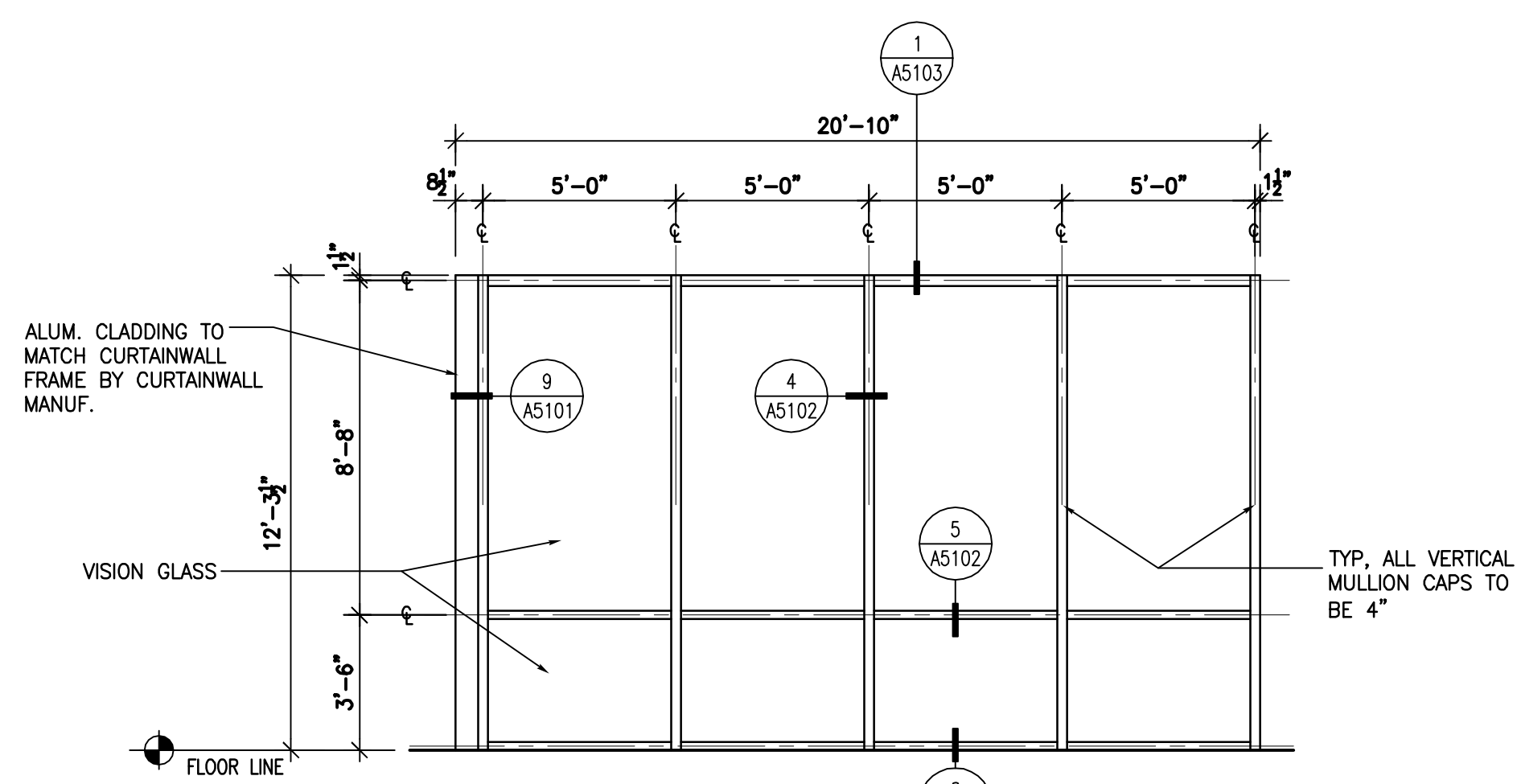
**MARK: EW013**  
 TYPE: YKK CURTAINWALL  
 FRAME MATERIAL: ALUMINUM  
 FRAME FINISH: CLEAR ANODIZED  
 GLAZING: IMPACT RESISTANT INSULATED GLAZING SYSTEM  
 GLAZING TINT: VISION GLASS AND SPANDREL AS INDICATED  
 (TURTLE LAW COMPLIANT GLASS)



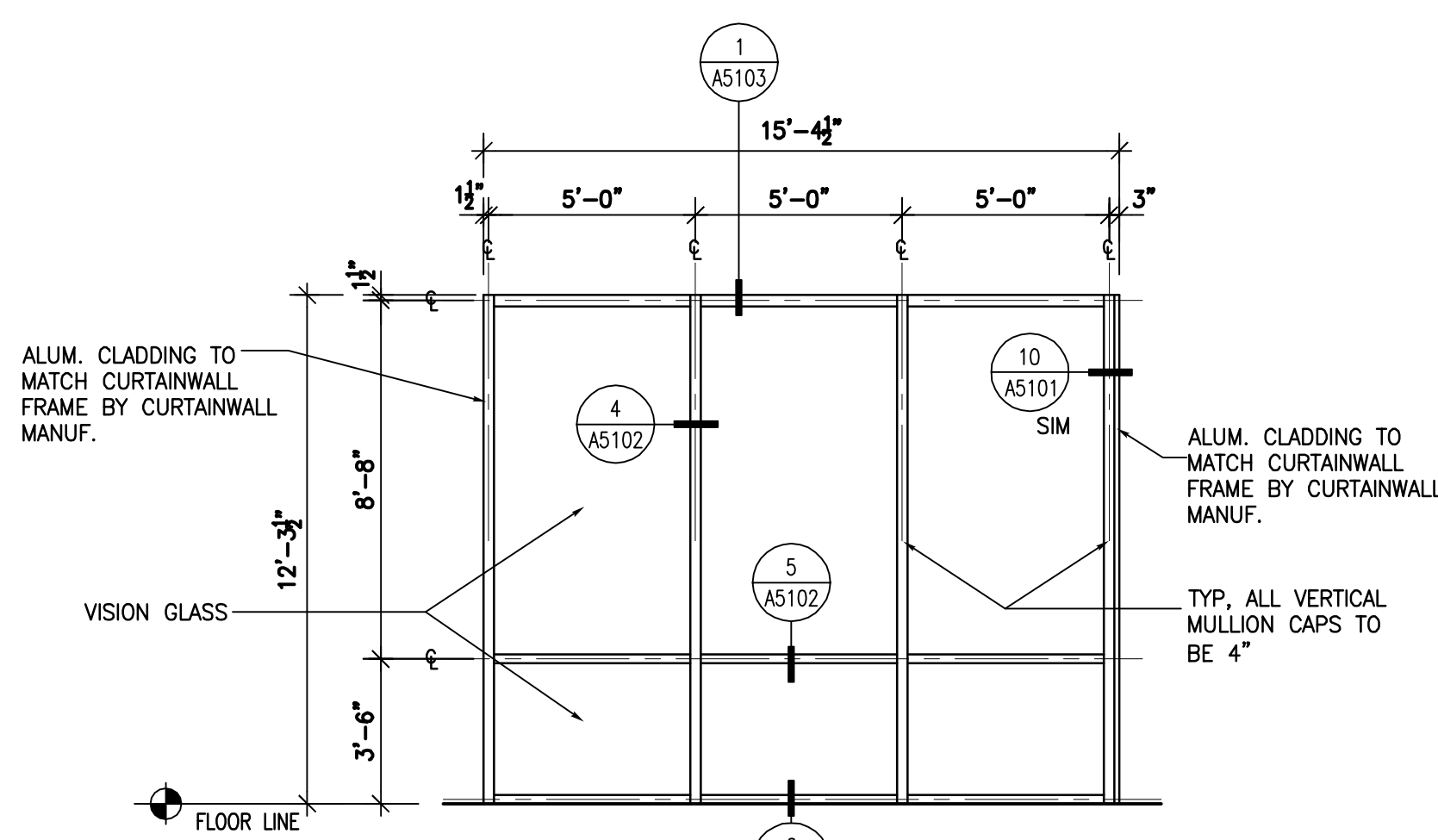
**MARK: EW014**  
 TYPE: YKK CURTAINWALL  
 FRAME MATERIAL: ALUMINUM  
 FRAME FINISH: CLEAR ANODIZED  
 GLAZING: IMPACT RESISTANT INSULATED GLAZING SYSTEM  
 GLAZING TINT: VISION GLASS AND SPANDREL AS INDICATED  
 (TURTLE LAW COMPLIANT GLASS)



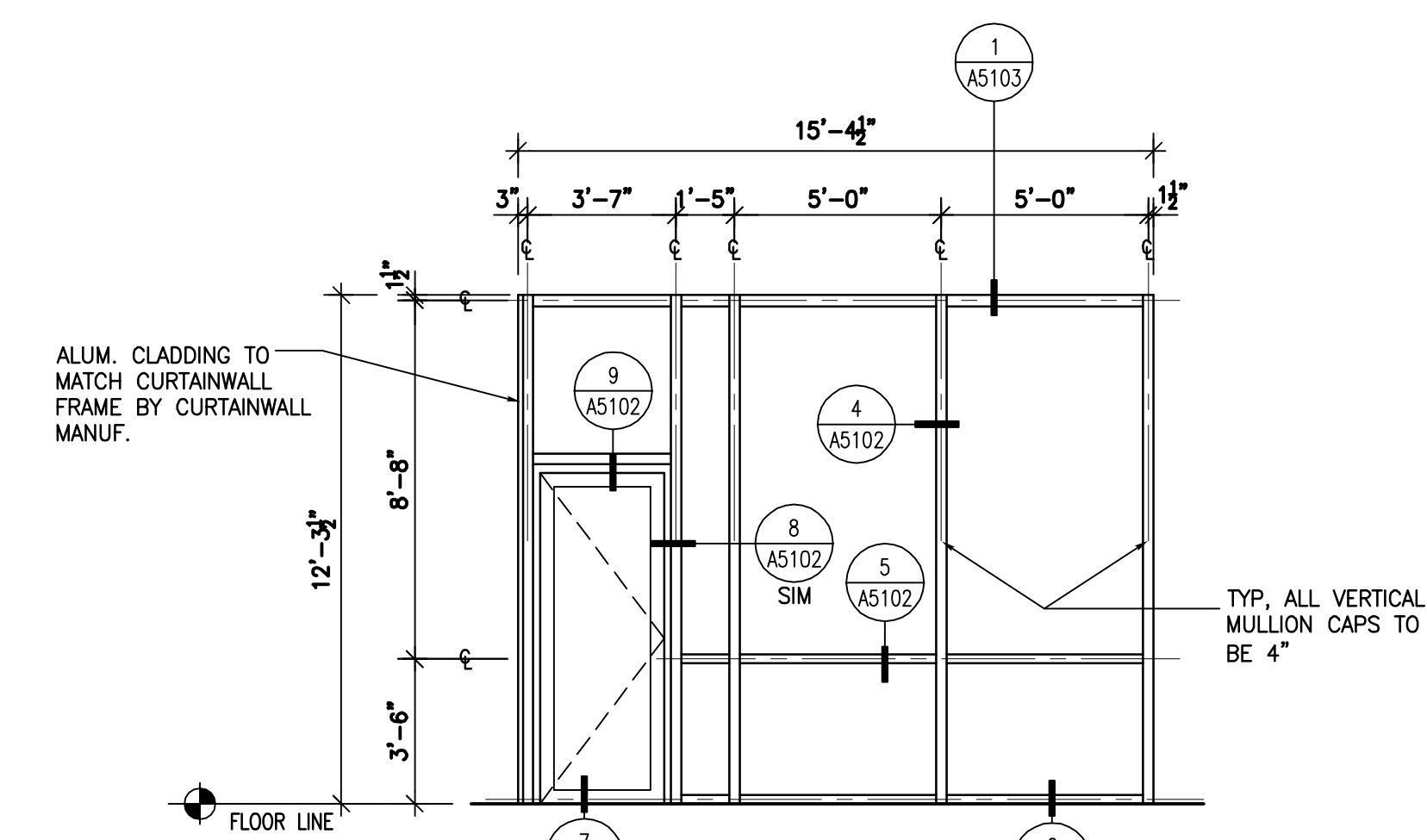
**MARK: EW015**  
 TYPE: YKK CURTAINWALL  
 FRAME MATERIAL: ALUMINUM  
 FRAME FINISH: CLEAR ANODIZED  
 GLAZING: IMPACT RESISTANT INSULATED GLAZING SYSTEM  
 GLAZING TINT: VISION GLASS AND SPANDREL AS INDICATED  
 (TURTLE LAW COMPLIANT GLASS)



**MARK: EW010**  
 TYPE: YKK CURTAINWALL  
 FRAME MATERIAL: ALUMINUM  
 FRAME FINISH: CLEAR ANODIZED  
 GLAZING: IMPACT RESISTANT INSULATED GLAZING SYSTEM  
 GLAZING TINT: VISION GLASS AND SPANDREL AS INDICATED  
 (TURTLE LAW COMPLIANT GLASS)



**MARK: EW011**  
 TYPE: YKK CURTAINWALL  
 FRAME MATERIAL: ALUMINUM  
 FRAME FINISH: CLEAR ANODIZED  
 GLAZING: IMPACT RESISTANT INSULATED GLAZING SYSTEM  
 GLAZING TINT: VISION GLASS AND SPANDREL AS INDICATED  
 (TURTLE LAW COMPLIANT GLASS)



**MARK: EW012**  
 TYPE: YKK CURTAINWALL  
 FRAME MATERIAL: ALUMINUM  
 FRAME FINISH: CLEAR ANODIZED  
 GLAZING: IMPACT RESISTANT INSULATED GLAZING SYSTEM  
 GLAZING TINT: VISION GLASS AND SPANDREL AS INDICATED  
 (TURTLE LAW COMPLIANT GLASS)

- NOTES:**
1. ALL OVERALL DIMENSIONS ARE ROUGH OPENING DIMENSIONS (FACE OF CONCRETE TO FACE OF CONCRETE) UNLESS NOTED OTHERWISE.
  2. DIMENSIONS TO BE VERIFIED AT FIELD BEFORE ORDERING AND INSTALLATION.
  3. SEE EXTERIOR ELEVATIONS, PLANS AND DETAILS FOR SHADING SYSTEMS APPLIED TO CURTAINWALL WINDOWS.
  4. WHEN STRUCTURAL FRAMING MEMBERS ARE SHOWN IN ELEVATIONS OR DETAILS, SEE STRUCTURAL DRAWINGS FOR DETAILS.
  5. WHEN DOORS ARE PART OF AN EXTERIOR OPENING ASSEMBLY, SEE DOOR SCHEDULES FOR ADDITIONAL INFORMATION. SEE FLOOR PLANS FOR DOOR NUMBERS.