



TOWN OF SURFSIDE
 BUILDING DEPARTMENT
 9293 HARDING AVENUE
 SURFSIDE, FL 33154
 TEL: (305) 861-4863
 FAX: (305) 861-1302
 www.townofsurfsidefl.gov
 EMAIL: buildingapp@townofsurfsidefl.gov

STANDARD WOOD FENCE DETAIL

SECTION 2328 FBC
 6'-0" MAXIMUM HEIGHT

ADDRESS: _____

FENCE HEIGHT: _____ FT FENCE LENGTH: _____ FT DATE: _____

**** IMPORTANT FOR USE OF POOL BARRIER ****

Outdoor swimming pools shall be provided with a barrier complying with Florida Building Code Sections 454.2.17.1.1 through 454.2.17.1.14.

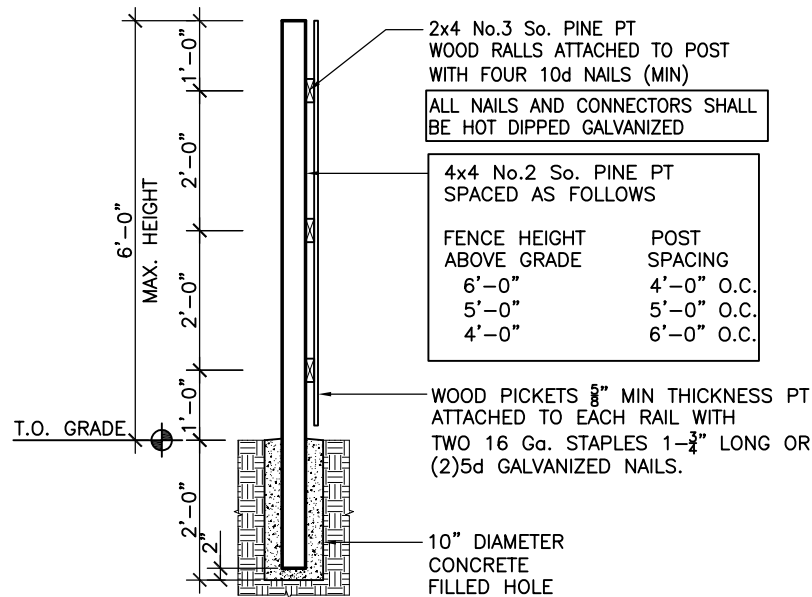
Access gates shall be equipped with a self-closing self-latching locking device located no less than 54 inches from the bottom of the gate. The device release mechanism shall be located on the pool side of the gate and so placed that it cannot be reached by a young child over the top or through any opening or gap. Gates that provide access to the swimming pool must open outward away from the pool.

The top of the barrier shall be at least 48 inches above grade measured on the side of the barrier which faces away from the swimming pool.

The maximum vertical clearance between grade and the bottom of the barrier shall be 2 inches measured on the side of the barrier which faces away from the swimming pool.

The spacing between the vertical members shall not exceed $1\frac{3}{4}$ inches in width. FBC R. sect. 4501.17.1.4.

CODE: FBC 2020, 7th EDITION



NOTES:

1. FINISH SIDE OF ALL WOOD FENCES MUST FACE OUTWARD TOWARD NEIGHBORING PROPERTY OR STREET PER ZONING CODE 33-11.
2. IN POOL BARRIERS, THE SPACING BETWEEN THE VERTICAL MEMBERS SHALL NOT EXCEED $1\frac{3}{4}$ INCHES IN WIDTH. FBC R. SECT. 4501.17.1.4.

NOTE: POST FOUNDATION HOLE INSPECTION IS REQUIRED